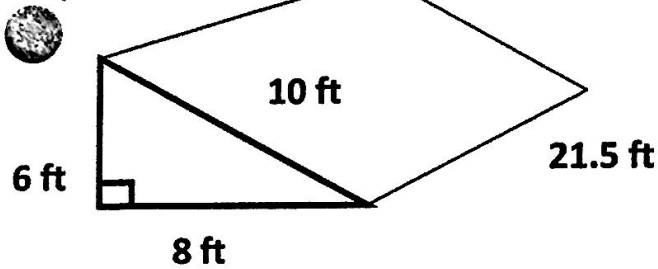


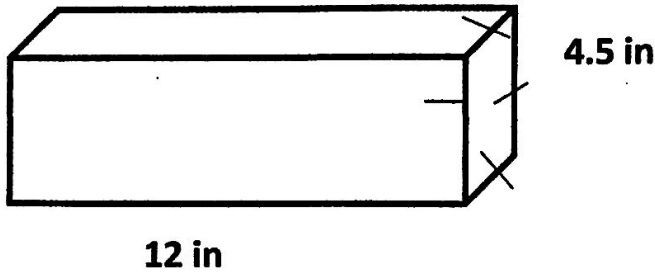
1)



Surface Area: _____

Volume: _____

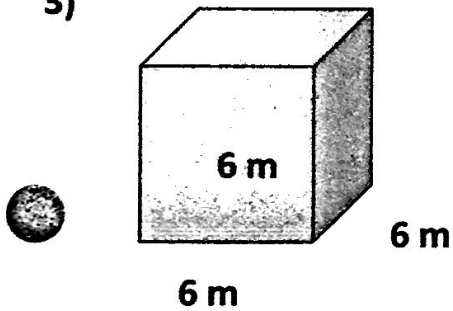
2)



Surface Area: _____

Volume: _____

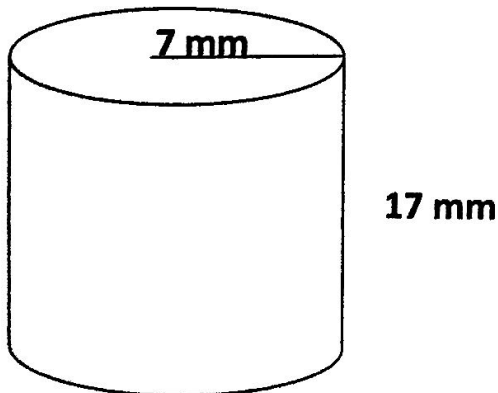
3)



Surface Area: _____

Volume: _____

4)



Surface Area: _____

Volume: _____

- 5) Sally wants to fill her little brother's sandbox this summer. The sandbox is a rectangular prism that measures 2 ft x 3 ft x 0.5 ft. How much sand will the box hold?