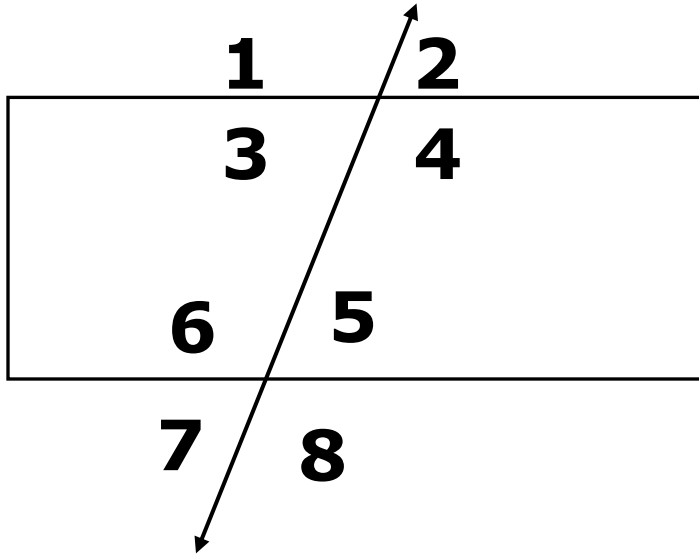


A line passes through two sides of a rectangle. The measure of angle 6 is 145° . Find the measure of all the other angles.



Using the diagram above find two pairs for each of the following:

Alternate Interior Angles:

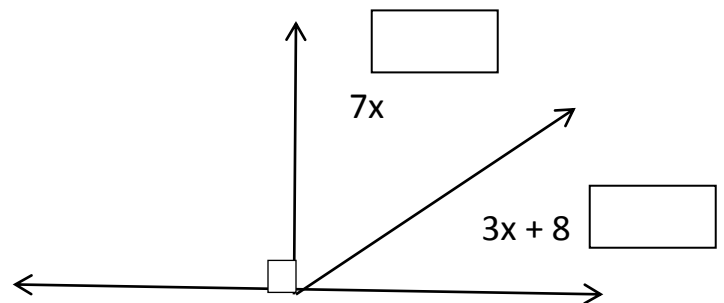
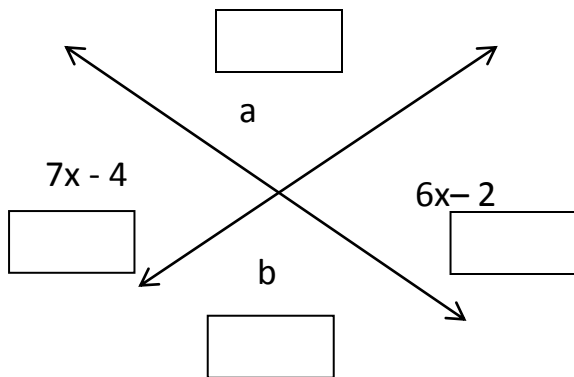
Alternate Exterior Angles:

Vertical Angles:

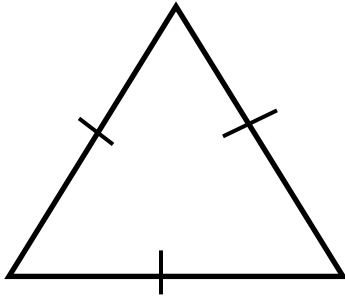
Corresponding Angles:

Supplemental Angles:

Find the missing measurements and the value of x .

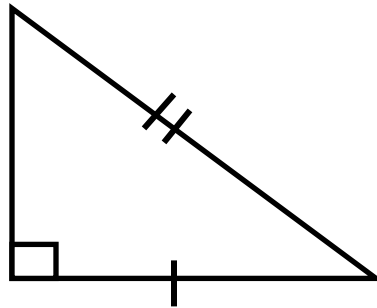


Classify each triangle according to angle and side.



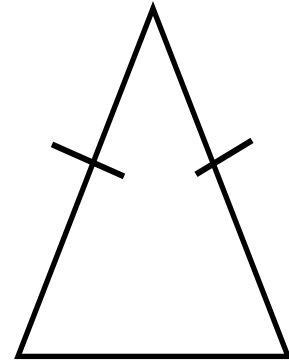
Angle:

Side:



Angle:

Side:



Angle:

Side:

Can the side lengths below make a triangle? How do you know?

4 mm, 5 mm, 3 mm _____

12 in, 50 in, 38 in _____

18 ft, 9 ft, 4 ft _____

28 m, 12 m, 17 m _____

Find the missing angles and the value of x.

